

Trinox

High output forced draught steel shell and tube boilers with outputs from 1165kW to 10560kW

Three pass type boilers suitable for firing with Natural Gas, LPG, Light or Heavy Fuel Oil or Biodiesel.

Net Efficiency 92.3% to 92.7%

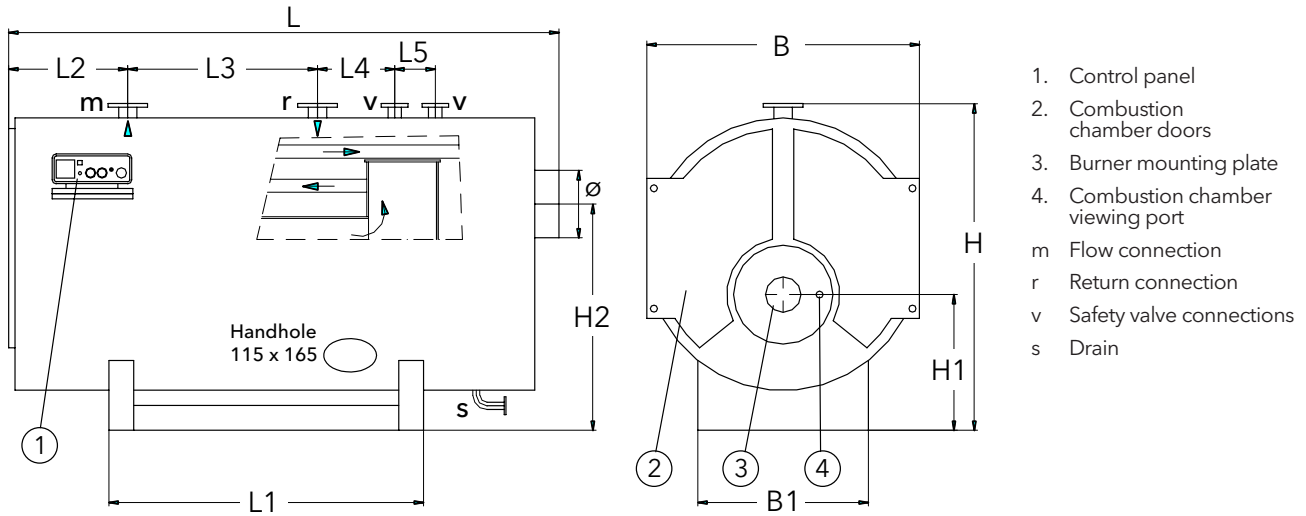
Suitable for low temperature hot water heating systems up to 95°C with working pressure options of 5, 6 or 8bar.

High water content with excellent temperature regulation



MHS
BOILERS

Technical data



1. Control panel
2. Combustion chamber doors
3. Burner mounting plate
4. Combustion chamber viewing port
- m Flow connection
- r Return connection
- v Safety valve connections
- s Drain

Model Trinox		1000	1200	1500	1750	2150	2580	3000	3500	4000	4300	5000	6000	7500	9000
Nominal output	kW	1165	1410	1760	2040	2510	3020	3520	4090	4680	5030	5830	7020	8760	10560
Input (net)	kW	1260	1522	1902	2210	2710	3260	3810	4420	5050	5450	6310	7590	9460	1140
Combustion chamber resistance	mbar	4.5	6.6	5.3	5.6	5.6	5.5	7.7	5.4	7	8.2	5.6	8.4	8.1	8.7
Hydraulic resistance Δt 10K	kPa	16.8	23.5	16.1	20.2	12.3	16.1	21.3	29.1	38.1	40.3	26.9	33.6	49.3	40.3
Hydraulic resistance Δt 15K	kPa	7.5	10.5	7.2	9	5.5	7.2	9.5	13	17	18	12	15	22	18
Hydraulic resistance Δt 20K	kPa	4.2	5.8	4.02	5.05	3.07	4.02	5.32	7.27	9.52	10.1	6.7	8.4	12.3	10.1
Water content	litres	119	119	155	228	228	285	276	329	402	402	476	697	795	733
Weight (empty) 5bar shell	kg	3320	3550	4700	4950	5700	7110	7650	9250	10050	10200	13300	14200	17800	22000
Weight (empty) 6bar shell	kg	3480	3820	4850	5000	5950	7530	8150	9700	10050	10200	13800	14660	18250	22600
Weight (empty) 8bar shell	kg	3720	3990	5220	5500	6450	8120	8750	10400	11350	11500	14950	15950	18950	23500
Dimensions	B mm	1580	1580	1800	1800	1930	2050	2050	2260	2260	2260	2500	2500	27500	2910
	H mm	1930	1930	2200	2200	2330	2450	2460	2660	2660	2660	2950	2950	3200	3360
	L mm	3240	3490	3650	3900	4510	4510	4960	5100	5550	5550	6070	6570	7020	7320
	B1 mm	1100	1100	1250	1250	1250	1310	1310	1500	1500	1500	1620	1620	1800	1900
	H1 mm	790	790	915	915	960	995	995	1070	1070	1070	1225	1225	1305	1355
	H2 mm	1250	1250	1450	1450	1530	1650	1650	1780	1780	1780	1955	1955	2110	2210
	L1 mm	1750	2000	1850	2000	2400	2400	2720	2750	3000	3000	3200	3500	3700	4000
	L2 mm	640	640	720	720	830	830	830	860	860	860	922	922	1022	1022
	L3 mm	1300	1550	1400	1650	1970	1970	2420	2450	2800	2800	3000	3450	3600	3900
Connections	L4 mm	650	650	700	700	750	750	750	750	800	800	900	900	1000	1000
	L5 mm	200	200	220	220	220	220	250	250	300	300	300	350	350	350
	r/m DN	125	125	150	150	200	200	200	200	200	200	250	250	250	300
	v 2xDN	1 1/2"	1 1/2"	2"	2"	2"	2"	65	65	80	80	80	100	100	100
	s DN	40	40	40	40	40	40	40	40	40	40	40	40	40	40
	Ø mm	400	400	450	450	500	500	500	600	600	600	700	700	800	900



URS CERTIFICATE NO.75710



URS CERTIFICATE NO.07571



URS CERTIFICATE NO.07571

MHS
BOILERS

3 Juniper West, Fenton Way, Southfields Business Park,
Basildon, Essex SS15 6SJ
Tel: 01268 546700 Fax: 01268 888250
www.mhsboilers.com